



Ms. Pavlina Fragkou

ISA² programme manager, DIGIT, European Commission

“CPEV: State-of-play and future plans”

Definition of the problem

- The notion of a '**public event**' is widespread and includes conferences, shows, festivals and many more. Publishing such events online is currently done in a irregular way.
- Public administrations and organizations do not have a common and stable way of describing the fundamental characteristics of a public event.
- This in turn holds back the easy redistribution of these events, when it comes reaching their target audience.
- The need for a vocabulary that properly captures the basic characteristics of public events is clear.

How to solve the problem?

- A public event is defined as “***something that happens at a particular place and time, organized by an agent for a particular purpose, and is of interest to a general audience***”.
- Its definition excludes natural events such as earthquakes or hurricanes.
- The Core Public Event Vocabulary (CPEV) is designed to support the exchange of basic information regarding public events.



What are the benefits?

- Using the vocabulary will facilitate the process for institutions publishing data about public events to:
 - share information about public events;
 - link information of public events to other data sets;
 - enable redistribution of public events by third parties;
 - reach their target audience.



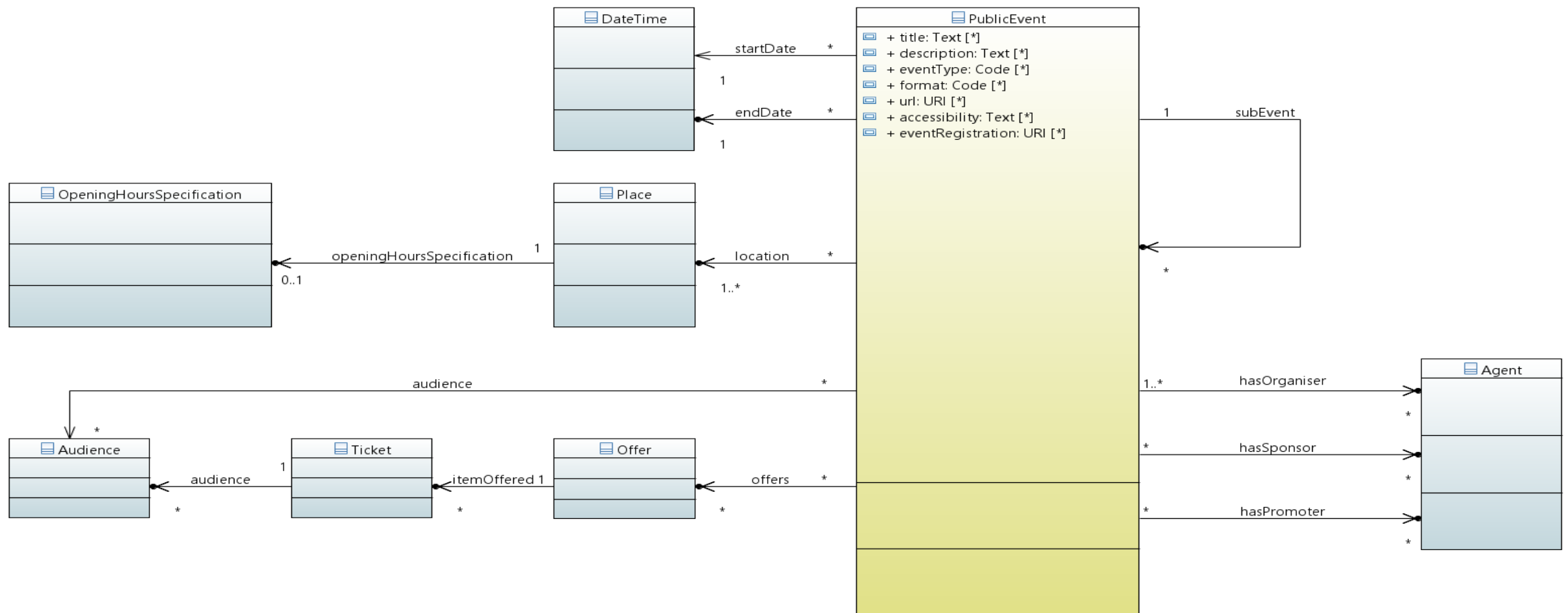
Use Cases

- A citizen is looking for events of a certain type across regions
- A provider of goods or services is looking for opportunities arising from neighbor or local events
- Citizens or businesses want to find related events within and across countries or organizations
- Gathering and distribution of events from governments that are of public interest
- Users want to add events to their calendar
- Efficient planning of an event (in terms of location, time an overlapping/similar events)



European
Commission

Core Public Event Vocabulary Model





Core Public Event Vocabulary Model Classes

- **Class: PublicEvent:** Something that happens at a particular place and time, organized by an agent for a particular purpose, and is of interest to a general audience.
- **Class: DateTime:** captures the date in ISO 8601 date format or the date and time
- **Class: Place,** describes a physical or virtual location.
- **Class: OpeningHoursSpecification,** describes information about the opening hours of a place or a certain service inside a place.
- **Class: Offer,** describes the possibility to transfer some rights to an item or to provide a service at a certain price.
- **Class: Ticket,** denotes an item that grants access to the event.
- **Class: Audience,** describes the group for whom the resource is intended or useful.
- **Class: Agent,** describes an entity that acts, such as an organization, person or group.



Related Vocabularies-Application Profiles

1. **Schema.org Event**, a schema founded by Google, Microsoft, Yahoo and Yandex which describes an event happening at a certain time and location, such as a concert, lecture, or festival.
2. **LODE**, an ontology for linking open descriptions of historical events as Linked Data and at enabling mapping between other event-related vocabularies and ontologies.
3. **The Italian application profile in the national network of ontologies OntoPiA**, developed by the Italian Agenzia per l'Italia Digitale.
4. **The ComunWeb vocabulary of public events**, proposed by the region of Trentino (Italy)
5. **The Japanese Public Event Vocabulary**, developed by the Ministry of Economy, Trade and Industry (METI)



Core Public Event Vocabulary key milestones

- In January 2018, a call for expression of interest was announced.
- In February 2018, a kick-off meeting took place.
- In March 2018 a Follow- Up webinar took place.
- In April 2018 a Second webinar took place
- On 7 May 2018 version 0.04 preliminary version was released.



Core Public Event Vocabulary present and future

- The current version of the Core Public Event Vocabulary is a first stable working version.
- In the future, the first official release, after following the procedures defined by the ISA2 program, will be published.



For more information

- Joinup:
Related information can be found at: <https://joinup.ec.europa.eu/solution/core-public-event-vocabulary/>
- Github:
<https://github.com/SEMICEU/Core-Public-Event-Vocabulary/tree/master/releases/0.04>
- Process and Methodology for Developing Core Vocabularies
<https://joinup.ec.europa.eu/document/process-and-methodology-developing-core-vocabularies>