

Semantic interoperability and access to base registries

Panel discussion



Antonis Stasis,
Hellenic Ministry of
Administration
Reform and e-
Governance,
Greece



David Norheim,
Computas,
Norway



Katrien De Smet,
CORVE – Flemish e-
Government
Coordination Unit,
Belgium



**Nikolaj
Skovmann
Malkov,**
KL,
Denmark



Stijn Goedertier,
PwC,
Belgium

(moderator)



Hellenic Ministry Of Administration reform and e- Governance (MAREG)

MAREG is responsible for

- policy on organization structures of Public Authorities, their operation and personnel
- e-Government policy
- Operational Program for Administration Reform



**Antonis
Stasis**

MAREG facilitates the interconnection among the base registries

MAREG is a STORK2.0 partner



Computas

Computas is a solution provider with strong focus on applying semantic web solutions for public sector and oil- and gas industry

- **Norway: Brønnøysund Registry Center** creating metadata repository and publishing linked organizational data from base registry
- **Denmark: Digitaliseringsstyrelsen** creating transformations from UML to OWL and linked organizational data from core registry
- **Sweden:** Pilots for the government with local partners



David
Norheim

CORV@

Flemish e-Government Coordination Unit

Guiding principle of integrated e-government:

**Once-only data collection, multiple
data (re)use**



Katrien De
Smet

- has built a **generic infrastructure (MAGDA)** to facilitate cooperation between the administrative entities at the various e-government administrative levels
- **coordinates e-government** projects and provides incentives e.g. public service catalogue, open data, VIP projects



Local Government Denmark (KL)

KL is the national association of municipalities in Denmark

Main tasks: Protection of interests, employers organisation, consultancy, services, Information

- Establishing a **joint municipal enterprise architecture framework** with a strong focus on semantic interoperability
- An active part in the large joint public sector **Good Basic Data for Everyone**-programme
- **KOMBIT** (the joint municipal IT/project organization) is establishing a **joint municipal infrastructure for integration and services**



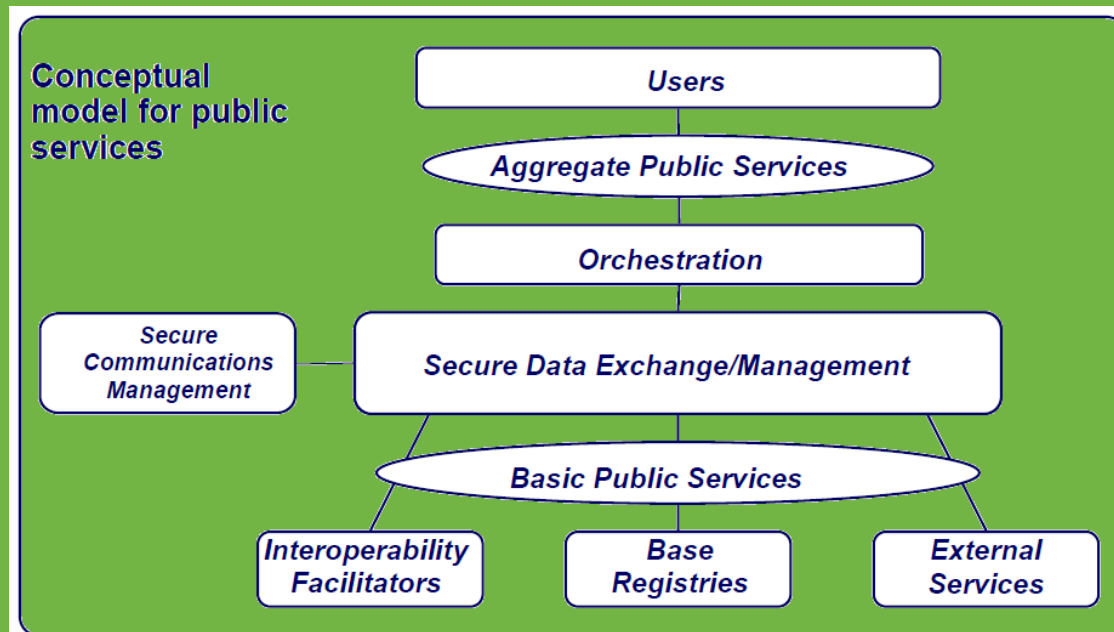
**Nikolaj
Skovmann
Malkov**

A base registry is a trusted, authentic source of information

A base registry (BR) is a **trusted, authentic** source of information under the **control** of an appointed public administration or organisation **appointed** by government.

Base registers provide **basic information** on items such as persons, companies, vehicles, licences, buildings, locations and roads.

Base registries are the *cornerstone* of public services



Is access to base registries and semantic interoperability still an issue for your organisation?

Panel discussion



Antonis Stasis,
Hellenic Ministry of
Administration
Reform and e-
Governance,
Greece



David Norheim,
Computas,
Norway



Katrien De Smet,
CORVE – Flemish e-
Government
Coordination Unit,
Belgium



**Nikolaj
Skovmann
Malkov,**
KL,
Denmark



Stijn Goedertier,
PwC,
Belgium
(moderator)

Which *semantic* interoperability solutions exist? How mature are they?

Panel discussion



Antonis Stasis,
Hellenic Ministry of
Administration
Reform and e-
Governance,
Greece



David Norheim,
Computas,
Norway



Katrien De Smet,
CORVE – Flemish e-
Government
Coordination Unit,
Belgium



**Nikolaj
Skovmann
Malkov,**
KL,
Denmark



Stijn Goedertier,
PwC,
Belgium
(moderator)

What should governments do to improve the semantic interoperability of base registers?

Panel discussion



Antonis Stasis,
Hellenic Ministry of
Administration
Reform and e-
Governance,
Greece



David Norheim,
Computas,
Norway



Katrien De Smet,
CORVE – Flemish e-
Government
Coordination Unit,
Belgium



**Nikolaj
Skovmann
Malkov,**
KL,
Denmark



Stijn Goedertier,
PwC,
Belgium
(moderator)

Questions from the audience

Panel discussion



Antonis Stasis,
Hellenic Ministry of
Administration
Reform and e-
Governance,
Greece



David Norheim,
Computas,
Norway



Katrien De Smet,
CORVE – Flemish e-
Government
Coordination Unit,
Belgium



**Nikolaj
Skovmann
Malkov,**
KL,
Denmark



Stijn Goedertier,
PwC,
Belgium

(moderator)

ISA Programme Action 1.1 – Semantic Interoperability

Project Officers

Vassilios.Peristeras@ec.europa.eu,
Suzanne.Wigard@ec.europa.eu,
Athanasios.Karalopoulos@ec.europa.eu

Visit our initiatives



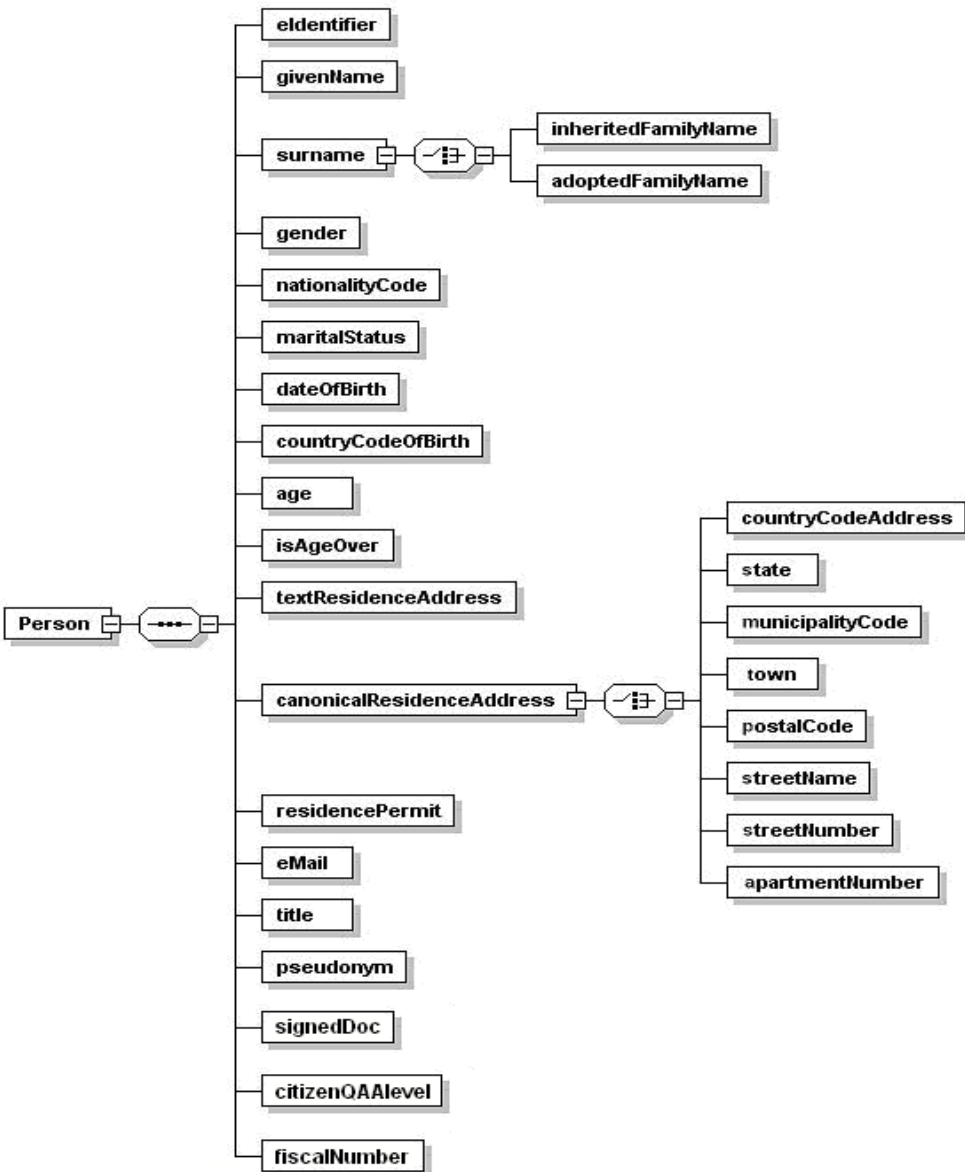
Get involved

 Follow [@SEMICEu](https://twitter.com/SEMICEu) on Twitter

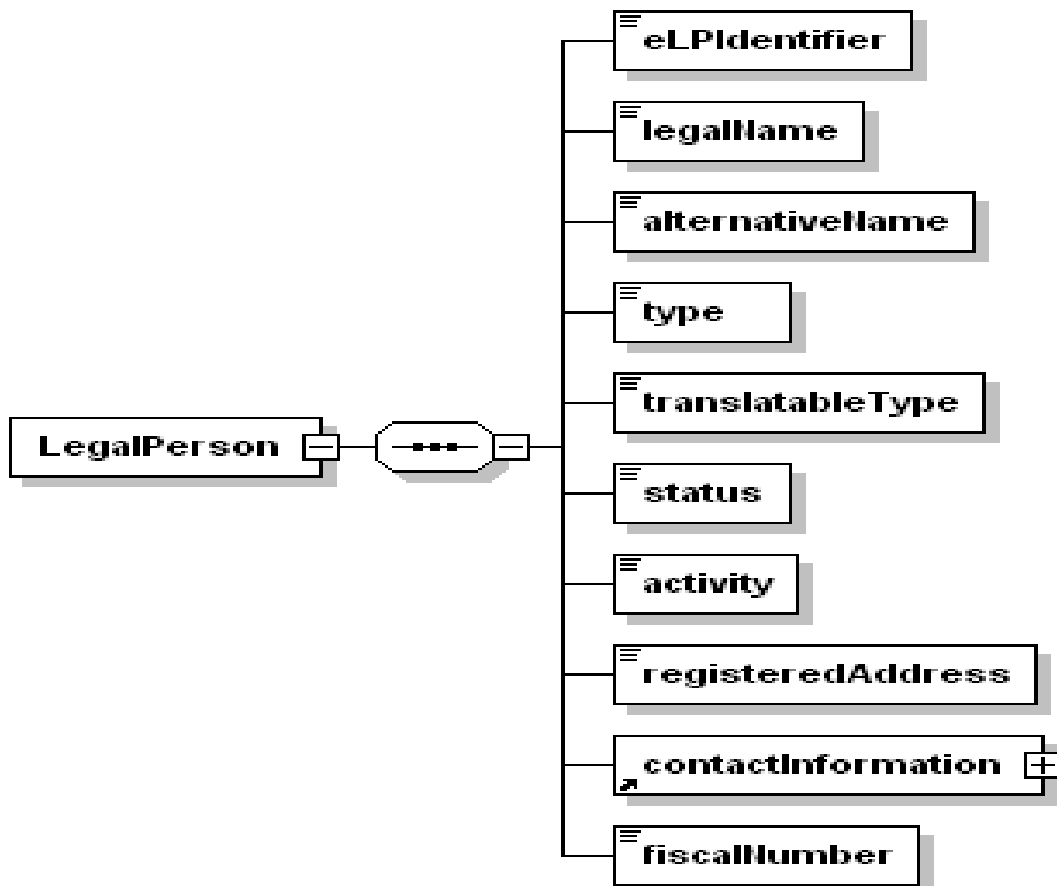
 [SEMICEu](#) group on LinkedIn

 SEMICEu community on Joinup

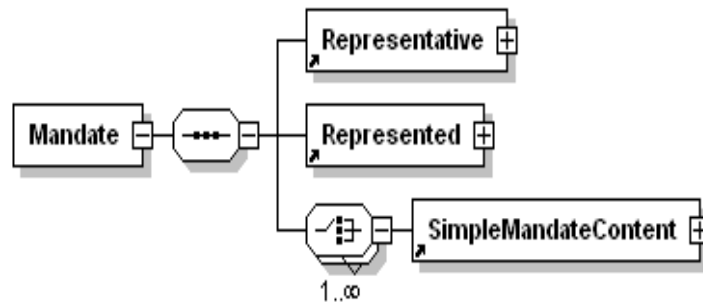
Data structure for person supported by STORK2



Legal Person



E-Mandate



STORK 2.0 "powers taxonomy"