



# CORE PUBLIC EVENT VOCABULARY

## FOLLOW-UP WEBINAR

### 20 APRIL 2018

ISA<sup>2</sup> ACTION 2016.07: PROMOTING SEMANTIC  
INTEROPERABILITY AMONG EU MEMBER STATES

# TOPICS OF TODAY



1. Goal of this webinar
2. Presentation of the model
3. Example usage
4. Next steps



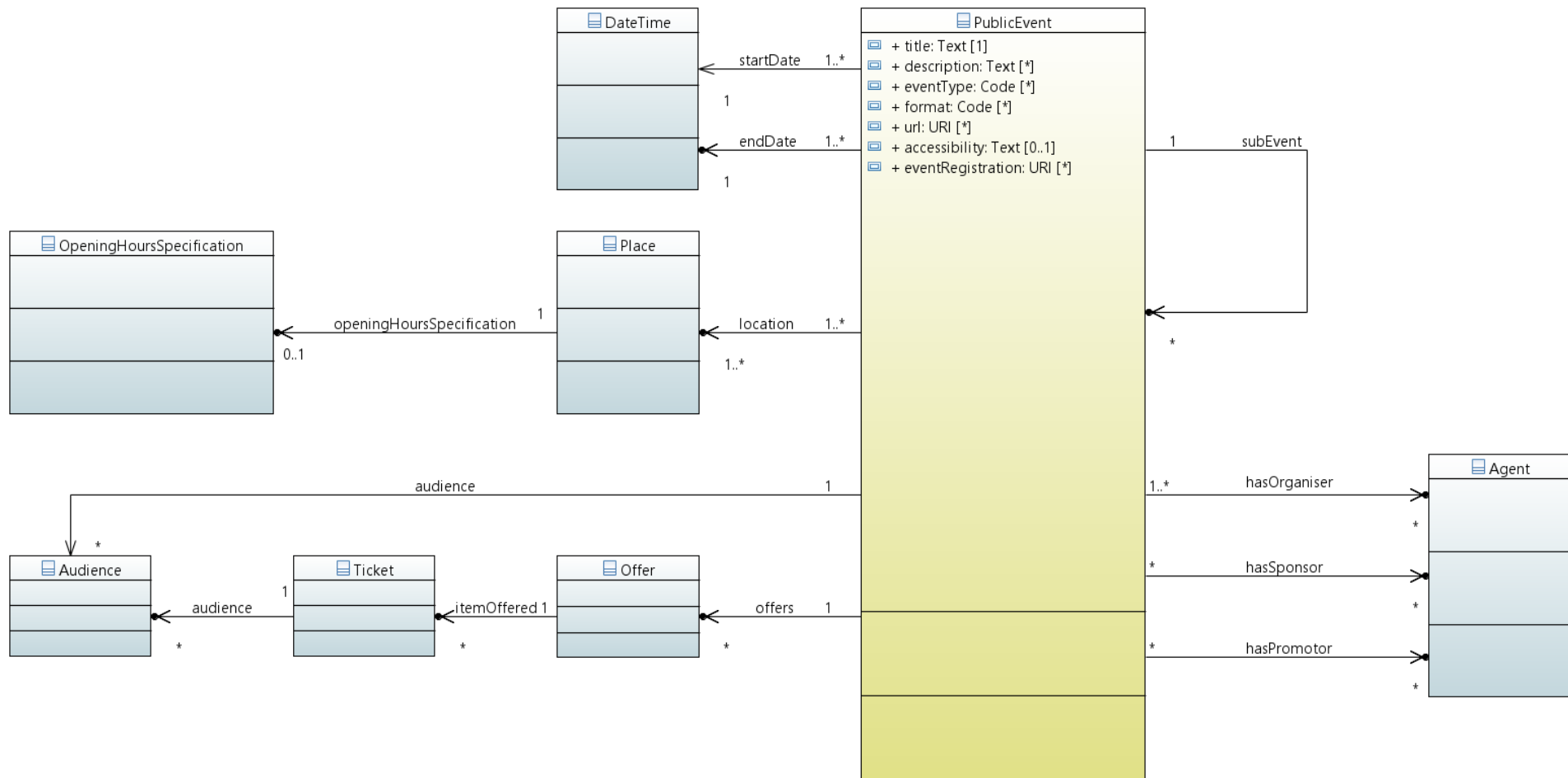
# GOAL OF THIS WEBINAR

# GOAL OF THIS WEBINAR

- Based on your input we compiled a first full model of the Core Public Event Vocabulary:
  - A [conceptual](#) model
  - A suggestion for RDF [implementation](#)
- In this webinar, we present the full model to you and welcome suggestions or remarks.
- After the webinar, we invite the working group to [test](#) this model in the field:
  - Against relevant data;
  - In IT-systems
- This will clearly indicate whether the model covers the core concepts of a Public Event or whether further changes or additions are needed.

# PRESENTATION OF THE MODEL

# CONCEPTUAL MODEL PROPOSAL



# CLASS DEFINITIONS

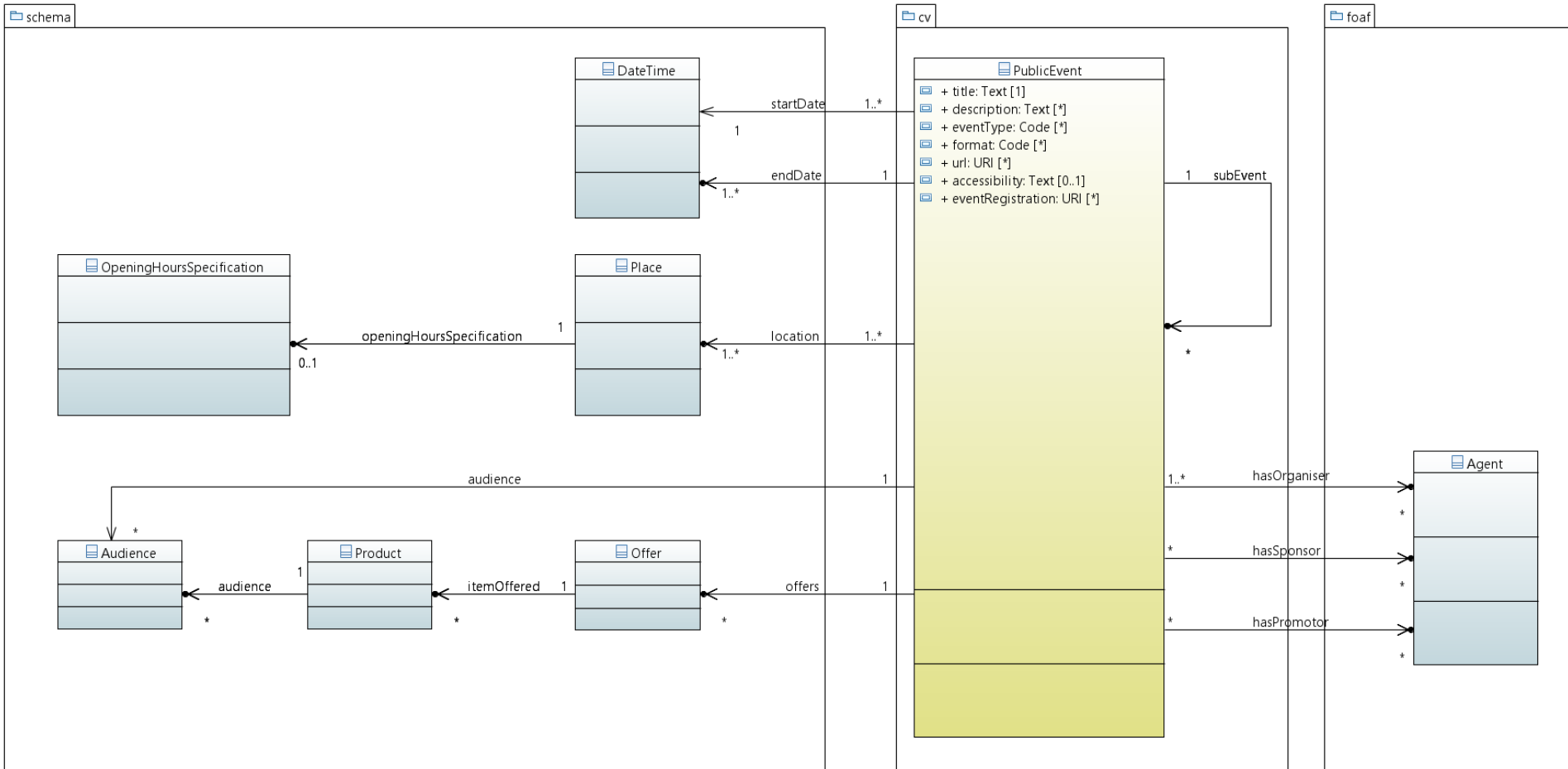
Class	Definition
PublicEvent	Something that happens at a particular place and time, organised by an agent for a particular purpose, and is of interest to a general audience.
DateTime	A combination of date and time of day in the form [-]CCYY-MM-DDThh:mm:ss[Z](+ -)hh:mm]
Place	A physical or virtual location.
OpeningHoursSpecification	A structured value providing information about the opening hours of a place or a certain service inside a place.
Offer	A possibility to transfer some rights to an item or to provide a service at a certain price.
Ticket	Any item that grants access to the event.
Audience	A group for whom the resource is intended or useful.
Agent	An entity that acts, such as an organisation, person or group.

# PROPERTY DEFINITIONS

Class	Definition
title	A name given to the event.
description	An account giving the characteristics of the event.
eventType	The nature or genre of the event. Examples include festivals, conferences, city council meetings and public consultations.
format	Plan of organisation or arrangement of the event. Examples include conference call and physical meeting.
url	Link to the website of the event.
accessibility	Information about how the event can be approached, reached or entered, in particular for people with special needs.
eventRegistration	Information regarding the registration of the event.



# SUGGESTION OF IMPLEMENTATION



## GENERAL NOTES

- We took your suggestions into account while guarding the fact that this should be a **core** model, which allows extensions.
  - A core vocabulary is a **simplified, reusable, and extensible data model** that captures the fundamental characteristics of an entity in a context-neutral fashion.
  - What is included in a core model should be **useful**. There should for instance be a use case for it, such as data exchange between EU information systems.
- Comments or suggestions are welcomed.

# EXAMPLE USAGE

# EXAMPLE USAGE

Example description of the SEMIC conference 2018 in the Public Event Vocabulary:

```
<rdf:Description rdf:about="http://example.com/conference/semic2018">
  <rdf:type rdf:resource="http://data.europa.eu/m8g/cpev#PublicEvent" />
  <dcterms:title>Semic Conference 2018</dcterms:title>
  <dcterms:description>The event, organised by the ISA2 Programme of the European Commission
  <cpev:eventType rdf:resource="http://example.com/concept/conference" />
  <dcterms:type rdf:resource="http://example.com/concept/physicalMeeting" />
  <schema:url rdf:resource="https://joinup.ec.europa.eu/page/semic-conference-2018" />
  <cpev:accessibility>Can be reached by car or public transport</cpev:accessibility>
  <cpev:eventRegistration rdf:resource="http://ec-isanews.eu/r.html?uid=1.8o.77e.35b.iqj4mx1ysz" />
  <schema:startDate>2018-06-14T08:30:00</schema:startDate>
  <schema:endDate>2018-06-14T18:00:00</schema:endDate>
  <schema:location rdf:resource="http://example.com/Place/asfdkj" />
  <schema:offers rdf:resource="http://example.com/Offer/kjfdla" />
  <schema:audience rdf:resource="http://example.com/Audience/ksjafd" />
  <cpev:hasOrganiser rdf:resource="http://example.com/Agent/kjdfk" />
</rdf:Description>
```

```
<rdf:Description rdf:about="http://example.com/Agent/kjdfk">
  <rdf:type rdf:resource="http://data.europa.eu/m8g/PublicOrganisation" />
  <skos:preflabel>European Commission</skos:preflabel>
  <org:hasUnit rdf:resource="http://example.com/Unit/DIGIT_D.2" />
</rdf:Description>
```

```
<rdf:Description rdf:about="http://example.com/Place/asfdkj">
  <rdf:type rdf:resource="http://schema.org/Place" />
  <schema:address>Sofia, Bulgaria 1463, "Bulgaria" Square 1</schema:address>
</rdf:Description>
```



The 8th edition of SEMIC, the annual semantic interoperability conference, will be held in Sofia, Bulgaria on 14 June 2018. The event, organised by the ISA2 Programme of the European Commission in collaboration with the Bulgarian Presidency of the Council of the EU, will bring together policy makers, IT practitioners and researchers interested in topics related to semantic interoperability for public administration.

This year, the theme of the conference will be "Linked Digital Public Administrations". Nowadays, public administrations exchange data with each other and with citizens and businesses, interconnect their systems and link their data. This brings direct benefit to citizens, as they do not have to provide the same information several times. Therefore, the interconnection of base registers, such as business registers, land registers, etc. plays an important role.

At the same time, these registers hold data of immense value for the public, making these and other data produced by public services available and linkable with data from other sources. This provides opportunities for large-scale data analytics, machine learning and artificial

# NEXT STEPS

## NEXT STEPS

- We kindly invite the working group to [pilot](#) this model in practice (in IT systems or against relevant data).
- Remember that this is a core vocabulary, for some applications you will have to extend the model.
- Goal is to find gaps or additional requirements and determine whether something is part of the 'core' of a Public Event or not.



Promoting semantic interoperability in Europe

# STAY CONNECTED!

## PROJECT OFFICERS

Suzanne.Wigard@ec.europa.eu

Fidel.Santiago@ec.europa.eu

## GET INVOLVED

- Follow @SEMICEu on Twitter
- Join the SEMIC group on LinkedIn
- Join the SEMIC community on Joinup

## VISIT OUR INITIATIVES

**ADMS**

ASSET  
DESCRIPTION  
METADATA  
SCHEMA

**StatDCAT-AP**  
FOR  
STATISTICAL  
DATASETS

**GeoDCAT-AP**  
FOR  
GEOSPATIAL  
DATASETS

**DCAT-AP**  
FOR  
DATA PORTALS  
IN EUROPE

**CORE**  
PUBLIC  
ORGANISATION  
VOCABULARY

**CORE**  
PERSON  
VOCABULARY

**REGISTERED**  
ORGANISATION  
VOCABULARY

**CORE**  
CRITERION &  
EVIDENCE  
VOCABULARY

**CORE**  
LOCATION  
VOCABULARY

**CORE**  
PUBLIC  
SERVICE  
VOCABULARY

# DOCUMENT METADATA

## Disclaimer

The views expressed in this report are purely those of the authors and may not, in any circumstances, be interpreted as stating an official position of the European Commission. The European Commission does not guarantee the accuracy of the information included in this study, nor does it accept any responsibility for any use thereof. Reference herein to any specific products, specifications, process, or service by trade name, trademark, manufacturer, or otherwise, does not necessarily constitute or imply its endorsement, recommendation, or favouring by the European Commission. All care has been taken by the author to ensure that s/he has obtained, where necessary, permission to use any parts of manuscripts including illustrations, maps, and graphs, on which intellectual property rights already exist from the titular holder(s) of such rights or from her/his or their legal representative.



**Version:** 0.1 **Publication date:** 18 April 2018

**Created by:**

Brecht Wyns, Frederik Van Eeghem [PwC EU Services]

**Reviewed by:**

Emidio Stani [PwC EU Services], Makx Dekkers [AMI Consult]